



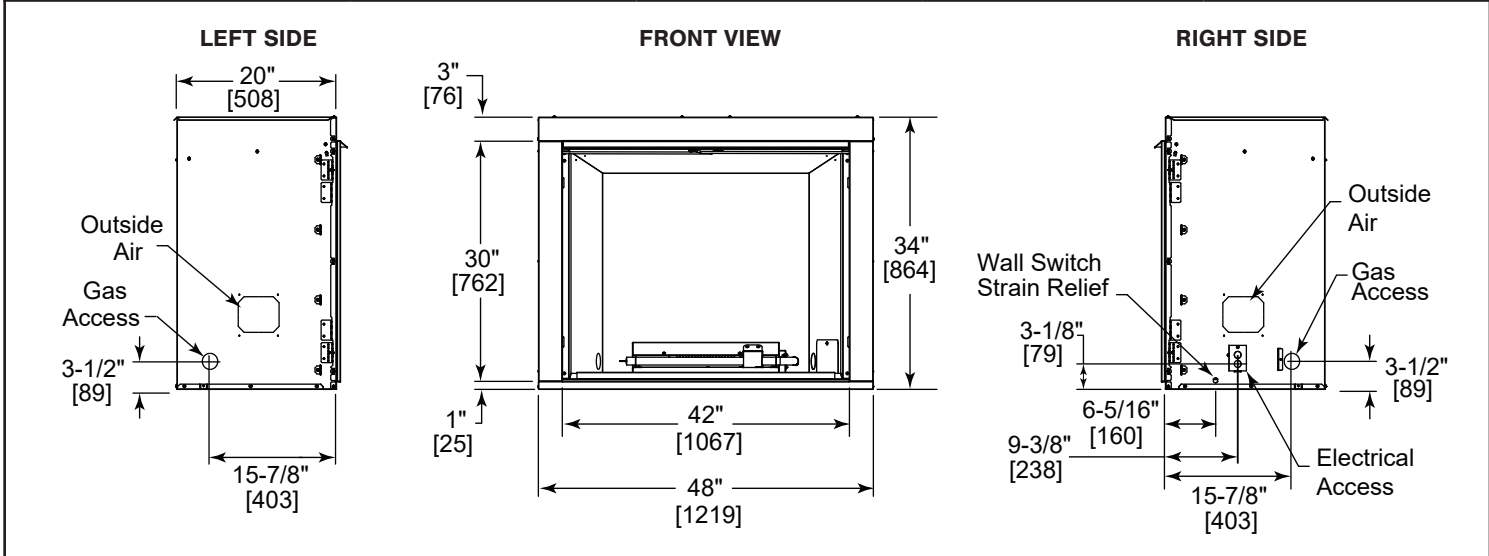
COURTYARD 42"

Outdoor Gas Fireplace

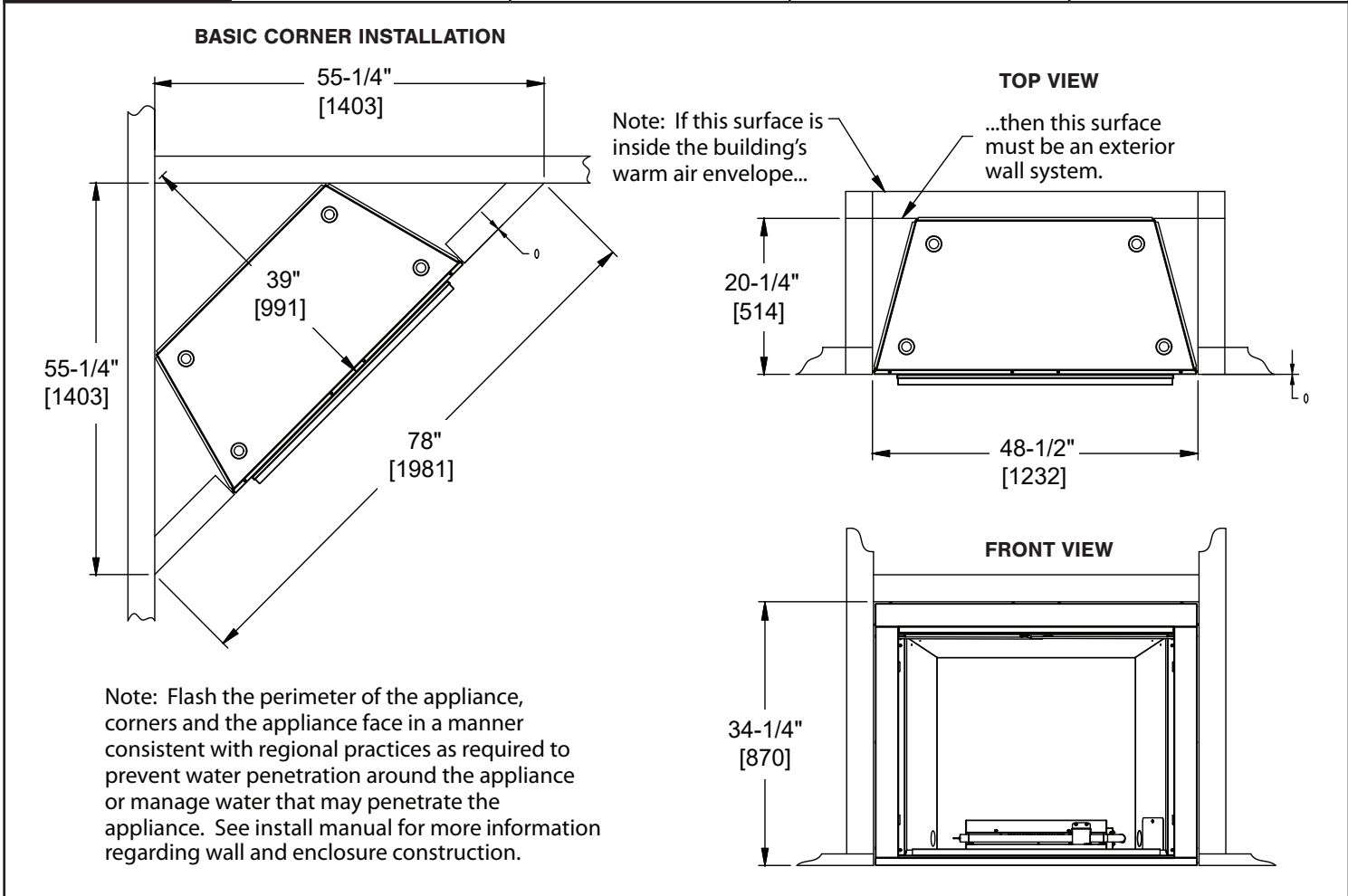
Scan QR code for installation manual for final dimensions and requirements.



| ACTUAL DIMENSIONS | FRONT WIDTH | HEIGHT | DEPTH | FIREBOX OPENING |
|-------------------|-------------|-----------|-----------|---------------------------|
| | 42" [1067] | 34" [864] | 20" [508] | 42" x 30" [1067 X 762] |



| FRAMING DIMENSIONS | FRONT WIDTH | HEIGHT | DEPTH | WEIGHT |
|--------------------|----------------|---------------|---------------|-----------------|
| | 48-1/2" [1232] | 34-1/4" [870] | 20-1/4" [514] | 95 LBS [43 KGS] |



APPLIANCE LOCATION

30% (or .30) of the outdoor living space periphery needs to be open.

- Add lengths of the outside living space.
 $16' + 20' + 16' + 20' = 72'$
- Divide the open area length by the total outdoor living space.
 $20/72 = .28$

.28 is less than the .30 required and therefore this installation would not be approved.

- Add lengths of the outside living space.
 $12' + 20' + 12' + 20' = 64'$
- Divide the open area length by the total outdoor living space.
 $20/64 = .31$

.31 is greater than the .30 required and therefore this installation would be approved.

CLEARANCES TO COMBUSTIBLES

NOTICE: Vinyl siding must not be placed between the appliance opening and the ceiling/overhang.

Combustible flooring may be installed next to the front of the appliance.

Perpendicular

MANTEL AND WALL PROJECTIONS

Unit

6.00"

Gray area is combustible material

White area is non-combustible material only

Minimum Side Wall

9.00"

12.00"

1" 2" 3" 4" 5" 6" 7" 8" 9" 10" 11" 12"

COMBUSTIBLE/NONCOMBUSTIBLE MANTELS

18 in. Maximum

23 in.

14 in.

3 in. Min. (Combustible Mantle)

Measured from top of appliance opening

White area is non-combustible material

Gray area is combustible material

Seal joint with non-combustible sealant to prevent heat from being drawn into the wall cavity.

Minimum Vertical and Maximum Horizontal Dimensions of Combustible and Noncombustible

Note: Reducing clearances further requires non-combustible construction materials (eg: steel studs, durock, etc) to a height of 12 inches above the framing height.

| PRODUCT LISTING CODES | |
|-----------------------|--------------|
| US | UL127 |
| CAN | ULC-S610-M87 |