

PRODUCT SPECIFICATIONS

VFI33 Solstice Vent Free Insert



LOVE AT FIRST LIGHT



ACTUAL DIMENSIONS

Actual size: 33" W x 24" H x 16 1/2" D x 22 3/4" RW
Viewing area: 28 3/4" W x 15 1/2" H, 445 in.²

STANDARD FEATURES

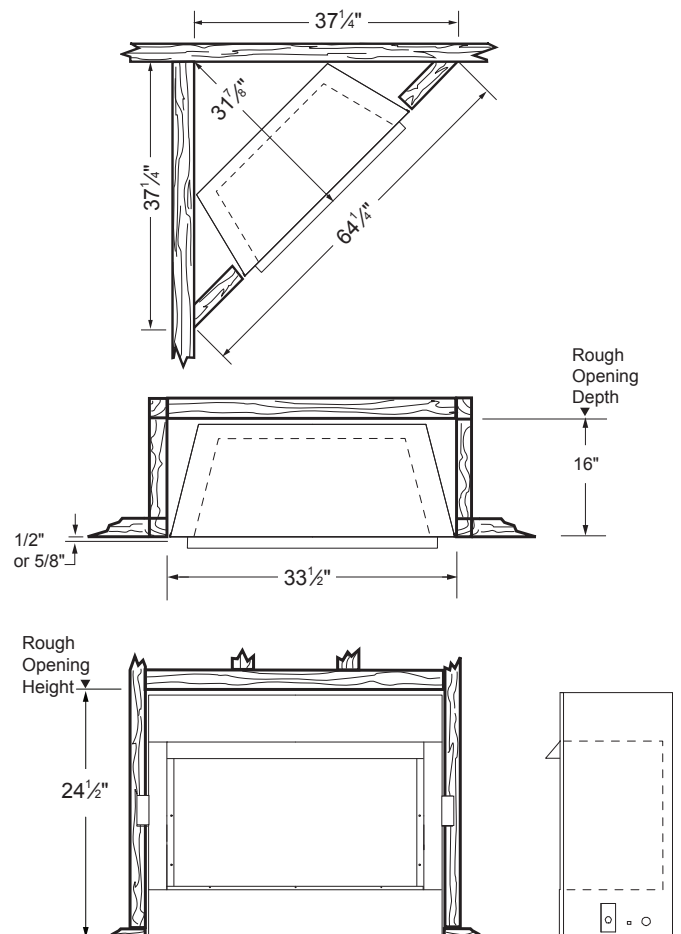
- Ventless design
- Zero clearance
- Mesh screen front
- Easy access control panel
- 135 CFM blower
- Millivolt or IPI control

FIELD INSTALLED ACCESSORIES

- Variety of fireglass media
- Cinnamon firebrick, Colonial Red Firebrick, Black Magic or Black porcelain panels
- Choice of two surrounds
- Remote Controls — RCB, RCMT, TSMT, RCST, TSST

TECHNICAL INFORMATION

- BTU/HR Input: 28,000 Max. / 19,000 Min. (NG)
27,000 Max. / 22,000 Min. (LP)
- Ignition System: Millivolt or IPI Control
- Thermal Efficiency: Up to 99.9%
- Clearance to Combustibles: 0" on all sides
- Mantel Clearance: 12" minimum, height and depth
- Gas Line: 18" Flex line w/shut off 1/2" FPT
- CSA Design Certified



149 Cleveland Drive, Paris, Kentucky 40361
www.monessenhearth.com

To avoid personal injury or property damage, the product described by this brochure must be installed, operated and maintained in strict compliance with the instructions packaged with the product and all applicable building or fire codes. Contact local building or fire officials about restrictions and installation inspection requirements. All photographs and drawings on this brochure are for illustrative purposes only and are not intended for, nor should they be used as a substitute for the instructions packaged with the unit. Appearance and specifications of the product are subject to change without notice. 1215v3 © 2015 Hearth & Home Technologies