

DRC-RADIUS Decorative Vent Cover Installation Instructions

Note: This decorative cover is tested and UL approved for use only with DVK-01TRD, DVP-TRAP, SLP-TRAP and SLK-01TRD trapezoidal horizontal termination caps.

Painting: The DRC-RADIUS decorative vent cover has been painted with a light gray paint. If you wish to change the color of the cap, you may do so.

Rustoleum™ brand gloss and flat protective enamel spray paints have been tested and approved for adhesion and corrosion protection in this application. Follow the manufacturer's instructions for application.

Components:

DRC-RADIUS decorative vent cover

Hardware package:

- Eight (8) self-drilling screws
- Four (4) washers
- Top screen

Installation Instructions:

The DVK/SLK-01TRD, DVP-TRAP or SLP-TRAP termination cap should already be installed per instructions.

1. Position the DRC-RADIUS decorative cover as shown in Figure 1, so the largest loop is facing the termination cap. Insert the rectangular frame between the heat deflector and the rain shield on the cap, noted as Step 1 in Figure 1.
2. Rotate the DRC-RADIUS cap downward, noted as Step 2 in Figure 1.
3. Set the decorative cover against the firestop of the cap, making sure that the cap mounting screws are centered in the clearance holes in the frame corners. Drive four (4) of the supplied self-drilling screws through the pilot holes in the decorative frame into the firestop. See Figure 2.

4. Place the top screen in position around the cap's heat deflector and secure it with the remaining four (4) screws and washers as shown in Figure 3.

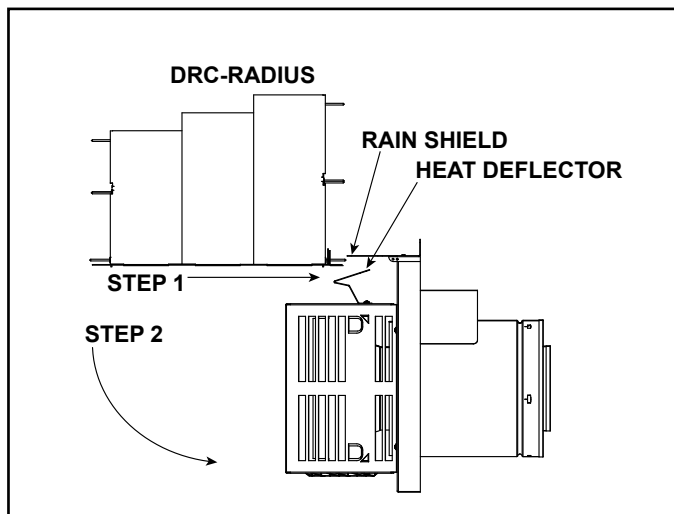
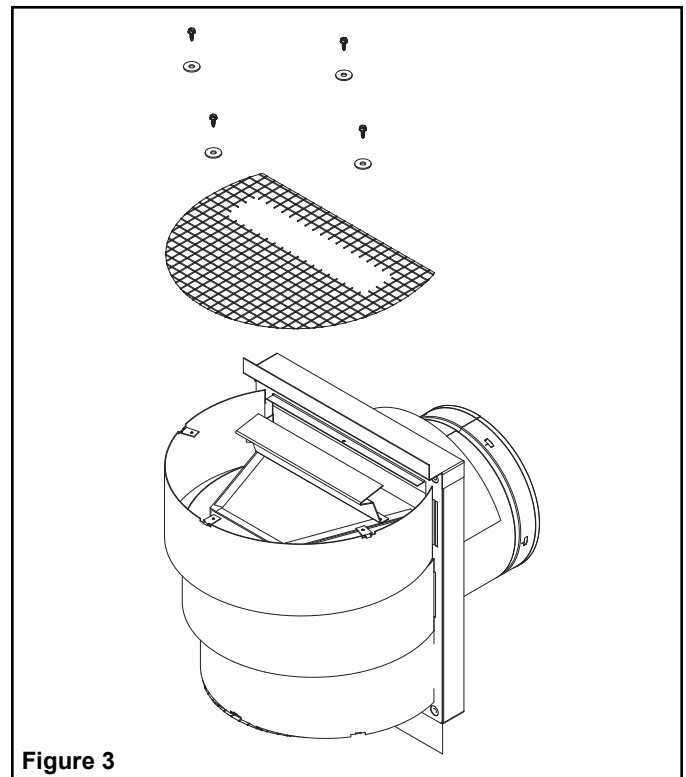
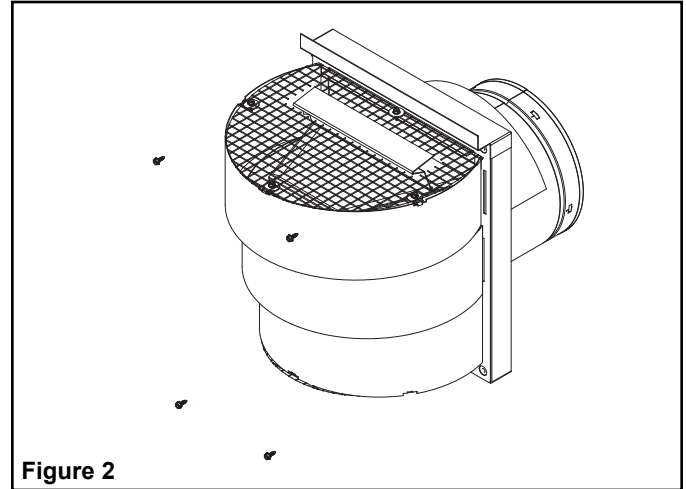


Figure 1

Please contact your Hearth & Home Technologies dealer with any questions or concerns. For the location of your nearest Hearth & Home Technologies dealer, please visit www.hearthnhome.com.

Hearth & Home Technologies
7571 215th Street West, Lakeville, MN 55044
www.hearthnhome.com