



Hearth & Home Technologies Inc., 1915 W. Saunders Street, Mt. Pleasant, IA 52641

Phone: 1-800-927-6841 or 1-888-427-3973

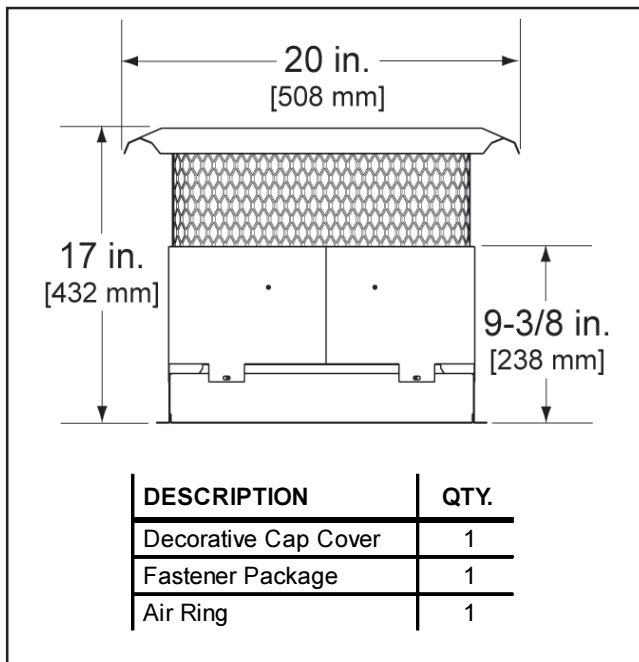
www.fireplaces.com

## INSTALLATION INSTRUCTIONS

### TCG375

## TERRA COTTA DECORATIVE CAP COVER FOR DIRECT VENT AND UL LISTED TYPE B GAS VENT SYSTEMS VERTICAL TERMINATION CAPS

► This decorative cap cover has been tested for use with all Hearth & Home Technologies Inc. direct vent gas appliances, venting and vertical termination caps, and the 3-6 in. diameter Type B A Gas Vent systems listed below. Check with your local building code agency before you begin your installation to ensure compliance with local codes, including the need for permits and follow-up inspections. If you encounter any problems regarding code approvals or if you need clarification of the instructions contained here, contact your local distributor/dealer or the Technical Services Department, Hearth & Home Technologies Inc., 1-800-927-6841 or 1-888-427-3973.



TCG375

#### Acceptable Type B Gas Vent systems:

- Simpson DuraVent - Model GV
- Hart & Cooley - Model RP
- American Metal Products - Model AmeriVent
- Security Chimneys - Model CG
- General Chimney Products - Model Air Jet
- Selkirk Metalbestos - Model RV

#### WARNING!

The chimney must extend at least three feet above the highest point where it passes through the roof and at least two feet above any portion of the building within ten feet. These minimum distances comply with national code construction requirements but do not guarantee smoke free operation.

**CAUTION:**

**Edges are sharp. Hand protection is recommended.**

**Note:** Periodic re-caulking may be needed to prevent leaks from developing.

1. Read both options and choose the one that works for you.
2. Choose and follow the correct venting type.

## OPTION #1

### 1. Chase Top Support

The chase top must have structural support under it to support and provide anchor points for the cap cover. See Figure 1 for dimensions.

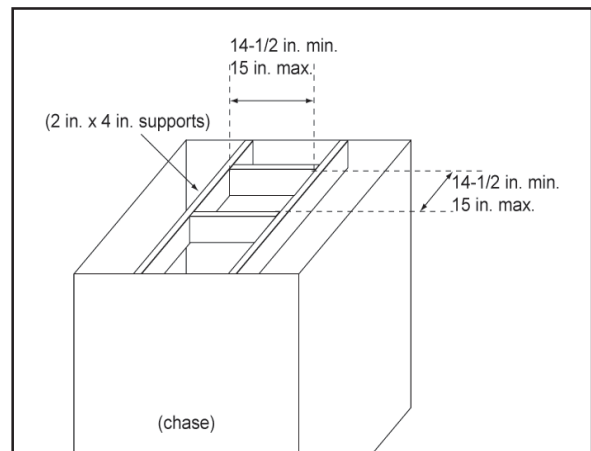
### 2. Install Cap Cover

- a. Slip the cap cover over the vent cap making sure it is centered and square with the chase.
- b. Attach the cap cover to the top of the chase through the holes in the bottom flange.
- c. Caulk and seal all screws on the chase top.

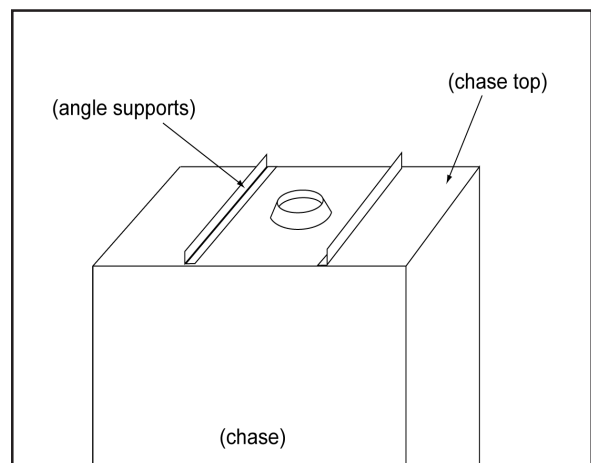
## OPTION #2

If you are unable to put supports under the chase top to support the cap cover as shown in Figure 1, use two pieces of aluminum angle (1/2 in. x 3/4 in.) mounted on the top of the chase top. See Figure 2.

1. Cut the aluminum angle pieces to the narrowest outside dimension of the chase top.
2. Slip the cap cover over the vent cap making sure it is centered and square with the chase.
3. Slip the two pieces of aluminum angle (wide flange down) under the bottom mounting flange of the cap cover so that the cap cover is support by them.
4. Drill through the angles of each end and screw the angle to the chase framing.
5. Ensure the cap cover is where you want it, then mark and drill holes through the angle using the holes provided in the bottom flange as a guide.
6. Fasten and seal the cap cover to the angle.



**Figure 1 - 2 x 4 Supports**



**Figure 2 - Angle Supports**

## B-VENT PIPE

- When using B-vent pipe the collar on the chase top must be 1/2 in. diameter larger than the outside diameter of the pipe.  
Example: 6 in. B-vent pipe is 6-1/2 in. outside diameter so make the opening of the collar 7 in. You could add or bend 1/4 in. spacers to the collar to help keep the pipe centered.
- Attach the chase top.
- Install the air ring if using 6 in. B-vent. Screw the air ring together using the first set of holes. See Figure 4. For 3 in., 4 in. and 5 in. B-vent pipe you will want to cut off the excess overlay then screw together in the holes provided. See Figure 4.
- After you adjust the air ring to fit the pipe, slide it down over the pipe to cover the collar and set on the chase top. See Figure 5.
- Install the storm collar and B-Vent cap. See Figure 5.
- Install Cap Cover**
  - Slip the cap cover over the vent cap making sure it is centered and square with the chase.
  - Attach the cap cover to the top of the chase through the holes in the bottom flange.
  - Caulk and seal all screws on the chase top.

**Note:** The b-vent cap must be installed a minimum of 6 in. above the chase top. See Figure 3.

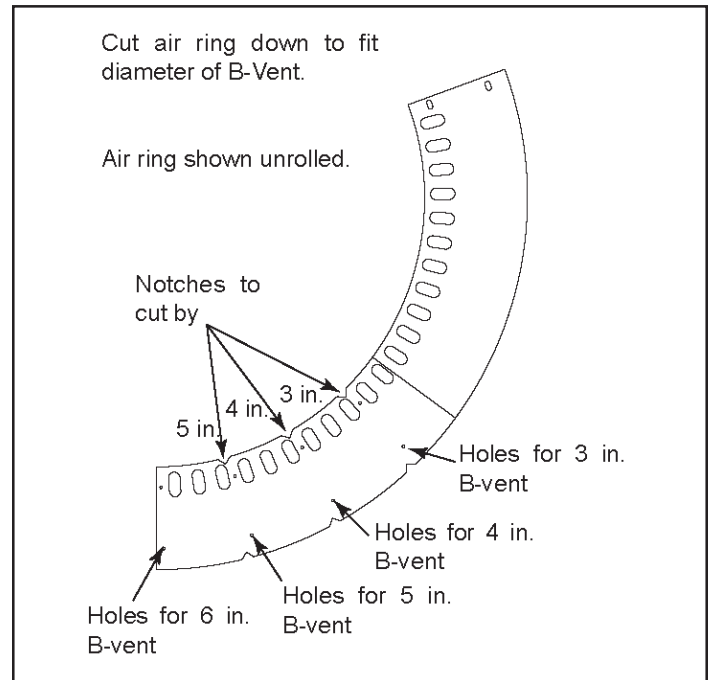


Figure 4 - Air Ring

## DIRECT VENT PIPE

- Attach the chase top.
- Install the storm collar and the direct vent cap.

**Note:** The direct vent cap must be installed a minimum of 8 in. above the chase top. See Figure 3.

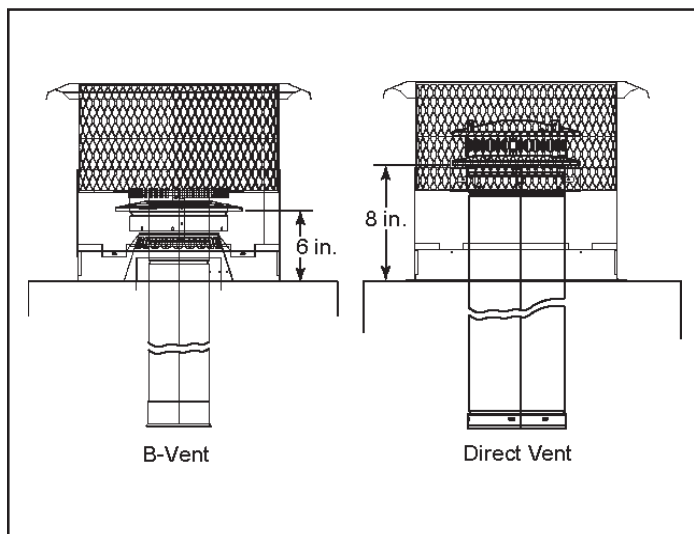


Figure 3 - Termination Cap Installation

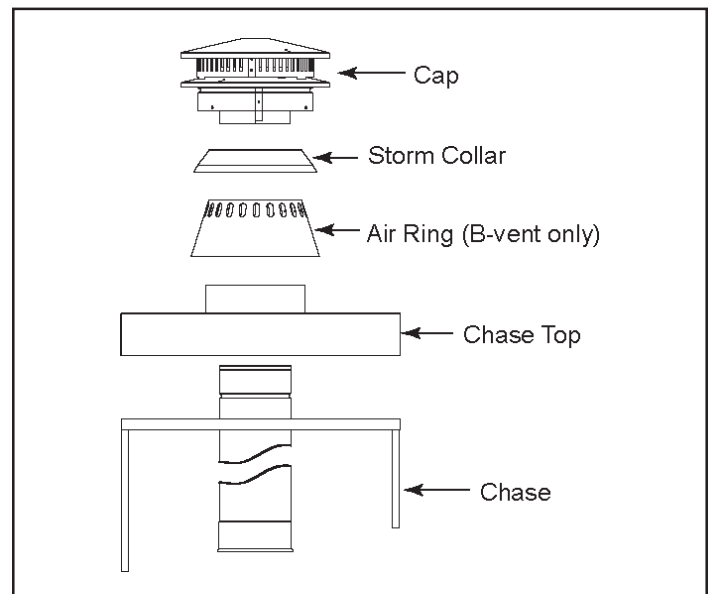


Figure 5 - Storm Collar & BV Cap

