



102745-XT electric fireplace
with optional log set

ELECTRIC FIREPLACES

DEEP • EXTRA TALL • EXTRA SLIM • BAY • WM • WM SLIM • CLASSIC



EXTRA SLIM



102735-XS electric fireplace



102765-XS electric fireplace



35"



45"



55"



65"

Defined by its extra slim depth and a picture frame surround, the Remii XtraSlim series is a perfect compliment to contemporary interiors. With a depth of 4 inches and available in four sizes, the Remii XtraSlim unit is a perfect fit for any home, business or commercial application.

There are 5 settings in each flame color so you can cycle through yellow, orange and red flame. WiFi controls come standard and a remote app allows you total control of your fireplace from the convenience of your mobile device. There are two colors of fire glass media included with the Remii XtraSlim series of fireplaces: Canyon Brown and Ocean Blue. Additional media options are available for purchase, please see the back page for details.

KEY FEATURES: Extra Slim

- Clean and Seamless in Design: featuring a full frame viewing area
- 10.16cm Depth and multiple length options.
- Media Kit Includes: Canyon Brown and Ocean Blue Fireglass, picture frame surround, and a full feature remote control
- 3 Speed motor sets the flame speed option
- Perfect for zone heating. Approximately 500 sq. ft., 5000 BTU's
- WiFi controls come standard
- Unsurpassed, realistic flames can be enjoyed with or without the use of heat, allowing for year round use

	102735-XS	102745-XS	102755-XS	102765-XS
Volts	120 AC / 60 Hz	120 AC / 60 Hz	120 AC / 60 Hz	120 AC / 60 Hz
Watts	1500 max	1500 max	1500 max	1500 max
No Heater	25 watts	25 watts	25 watts	25 watts
Motor Heater	19 watts	19 watts	19 watts	19 watts
Height, Width, Depth	50.48 x 86.68 x 10.16cm	50.48 x 112.08 x 10.16cm	50.48 x 137.48 x 10.16cm	50.48 x 162.88 x 10.16cm
Gross Weight	21 kg	28.13 kg	39 kg	48.99 kg
Plug Location	Left Side	Left Side	Left Side	Left Side
Cord Length	180.02cm	180.02cm	180.02cm	180.02cm
Rough Wall Opening	86.36 x 51.75cm	111.76 x 51.75cm	137.16 x 51.75cm	162.56 x 51.75cm
BTU	5000	5000	5000	5000

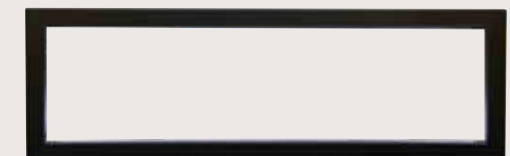
IN THE BOX



Canyon Brown Media



Ocean Blue Media

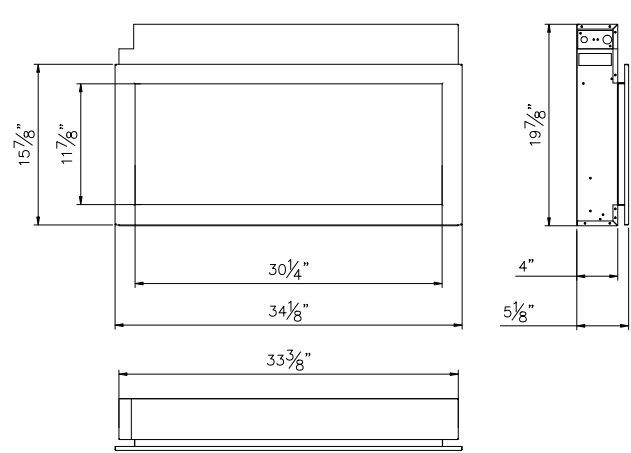




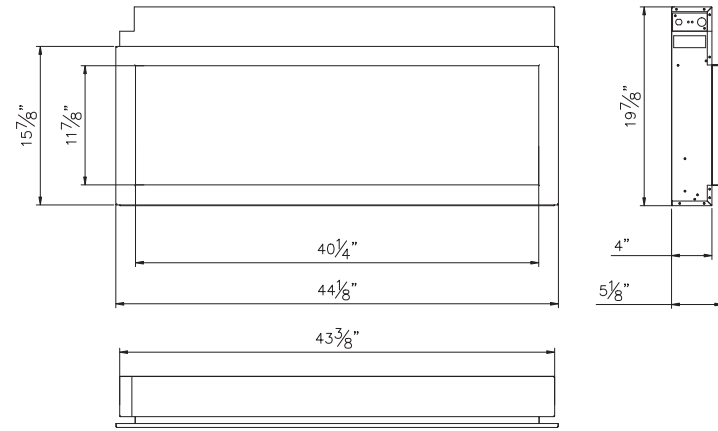
102755-XS electric fireplace



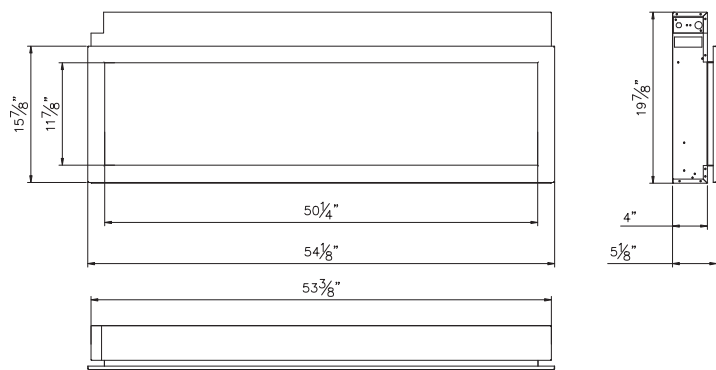
102745-XS electric fireplace



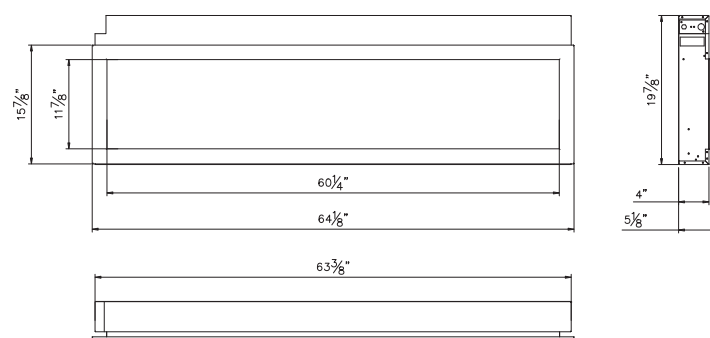
102735-XS



102745-XS



102755-XS

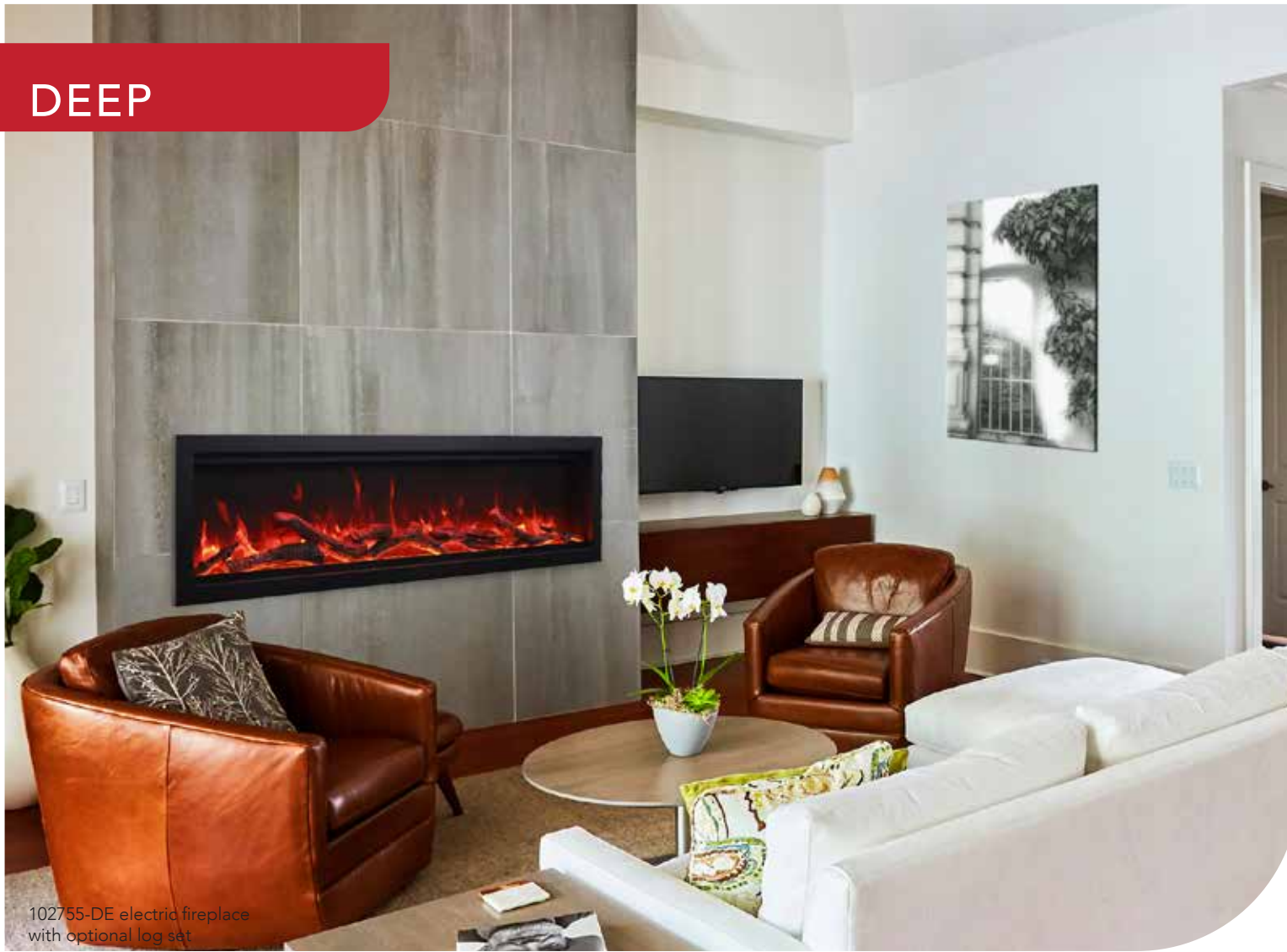


102765-XS



102765-XS electric fireplace

DEEP



102755-DE electric fireplace with optional log set



102745-DE electric fireplace



45"



55"



65"

The Remii Deep Series of built in electric fireplaces have been designed to give you the maximum flexibility in selecting a unit that perfectly suits your needs.

Remii Deep gives you a 30.16cm depth and multiple length options, as well as giving you the ability to install your fireplace with your choice of finishing material built right to the glass for a "full frame" design or use the provided picture frame surround. Your choice- your design!

Featuring vibrant red, yellow and orange flame colors, with just a click of the remote you can customize your favourite flame colors. Additional media options are available for purchase, please see the back page for details.

KEY FEATURES: Deep

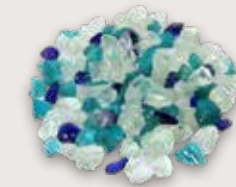
- Clean and Seamless in Design: featuring a full frame viewing area
- 30.16cm Depth and multiple length options.
- Media Kit Includes: Canyon Brown and Ocean Blue Fireglass, picture frame surround, and a full feature remote control
- 3 Speed motor sets the flame speed option
- Perfect for zone heating. Approximately 500 sq. ft., 5000 BTU's
- WiFi controls come standard
- Approved for Indoor or Outdoor Installations
- Unsurpassed, realistic flames can be enjoyed with or without the use of heat, allowing for year round use

	102745-DE	102755-DE	102765-DE
Volts	120 AC / 60 Hz	120 AC / 60 Hz	120 AC / 60 Hz
Watts	1500 max	1500 max	1500 max
No Heater	25 watts	25 watts	25 watts
Motor Heater	19 watts	19 watts	19 watts
Height, Width, Depth	60.00 x 112.08 x 30.16cm	60.00 x 137.48 x 30.16cm	60.00 x 162.88 x 30.16cm
Gross Weight	46.99 kg	54.88 kg	64.86 kg
Plug Location	Left Side	Left Side	Left Side
Cord Length	180.02cm	180.02cm	180.02cm
Rough Wall Opening	114.30 x 63.5	139.7 x 63.5cm	165.1 x 63.5cm
BTU	5000	5000	5000

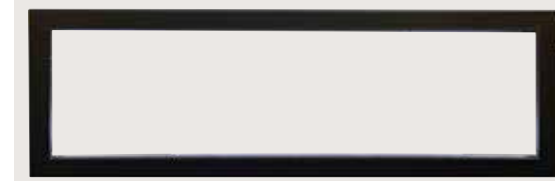
IN THE BOX



Canyon Brown Media



Ocean Blue Media



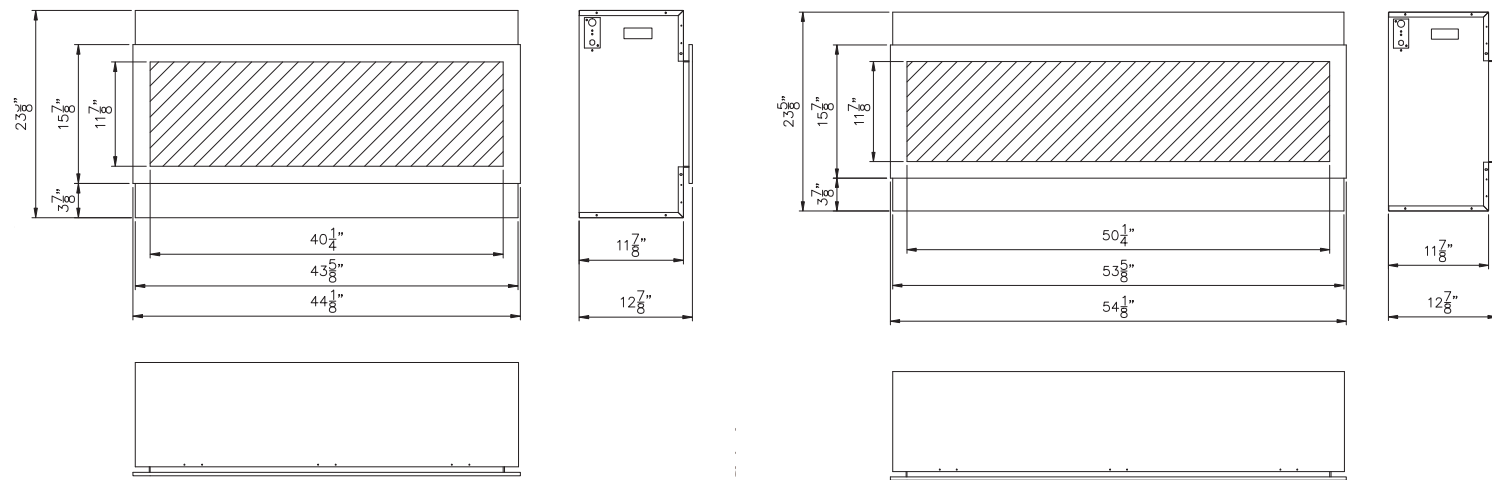
Additional media options available for purchase including life like log sets, please see back page for more details.



102765-DE electric fireplace

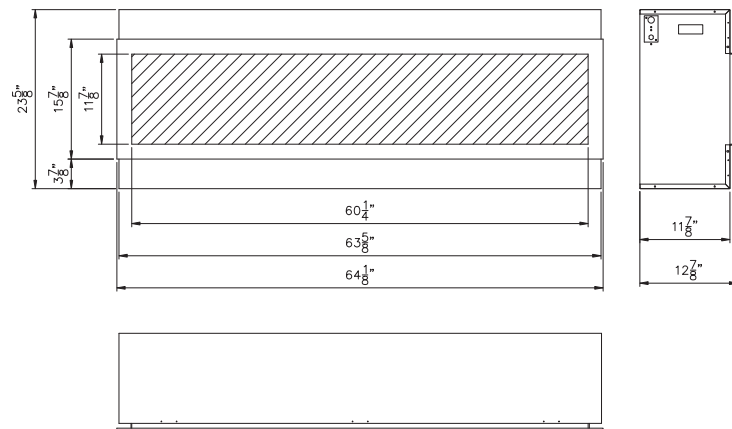


102745-DE electric fireplace



102745-DE

102755-DE



102765-DE



102755-DE electric fireplace

EXTRA TALL



102765-XT electric fireplace



102755-XT electric fireplace



45"



55"



65"

Featuring an extra tall full frame viewing area that is 45.72cm in height! That is 15.24cm taller than the other Remii family of units. It has deep media tray and a media kit comes included: canyon brown and ocean blue fire glass, picture frame surround and a full feature remote control.

Two flame patterns are presented in 3 colors – diffused flame appearance and a realistic flame style. Both flame patterns are presented in three colors – yellow, orange and red, or a combination of these.

KEY FEATURES: Extra Tall

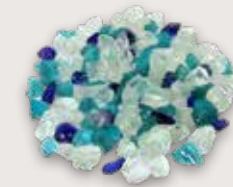
- Glass Viewing area is 45.72cm tall with no unsightly venting visible
- Media Kit Includes: Canyon Brown and Ocean Blue Fire Glass, picture frame surround, and a full feature remote control
- 3 Speed motor sets the flame speed option
- WiFi controls comes standard
- Approved for Indoor or Outdoor Installations
- Perfect for zone heating. Approximately 500 sq. ft., 5000 BTU

	102745-XT	102755-XT	102765-XT
Volts	120 AC / 60 Hz	120 AC / 60 Hz	120 AC / 60 Hz
Watts	1500 max	1500 max	1500 max
No Heater	25 watts	25 watts	25 watts
Motor Heater	19 watts	19 watts	19 watts
Height, Width, Depth	74.93 x 110.81 x 32.07cm	74.93 x 136.21 x 32.07cm	74.93 x 161.61 x 32.07cm
Gross Weight	42.91 kg	49.89 kg	57.88 kg
Plug Location	Left Side	Left Side	Left Side
Cord Length	180.02cm	180.02cm	180.02cm
Rough Wall Opening	114.30 x 76.2cm	139.7 x 76.2cm	165.1 x 76.2cm
BTU	5000	5000	5000

IN THE BOX



Canyon Brown Media



Ocean Blue Media



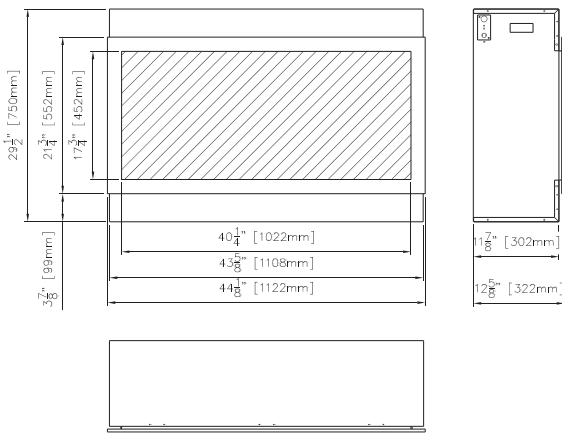
Additional media options available for purchase including life like log sets, please see back page for more details.



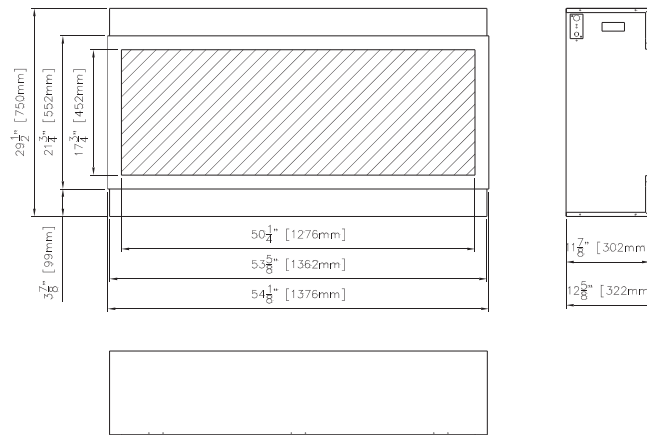
102765-XT electric fireplace



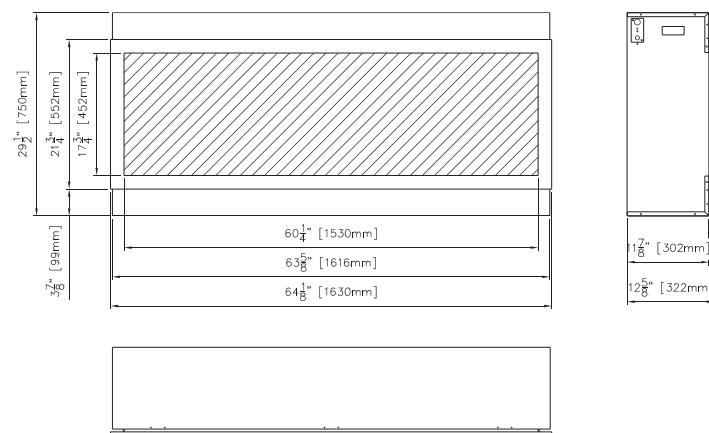
102745-XT electric fireplace



102745-XT



102755-XT



102765-XT



102755-XT electric fireplace

BAY SMART SERIES



30-BAY-SLIM electric fireplace



40-BAY-SLIM electric fireplace



Remii Bay Smart comes with an incredible depth of 10.16cm and available in five sizes, you'll find an electric fireplace that is perfect for any space in your home, business, or commercial space. Perfectly suited to installations in areas where wall depth is at a premium. The Remii Bay Smart are designed to be installed in 5.08cm x 10.16cm walls and fits beautifully as a corner fireplace.

Make the Remii Bay Smart fireplace your own by using the included media kit. This kit includes a 10 piece birch style log set, vermiculite, black fire glass, and a thermostatic remote control.

KEY FEATURES: BAY SMART

- Can be installed into a 5.08cm x 10.16cm Wall
- Very thin – only 10.16cm depth and multiple length options
- All models are rated for indoor or outdoor applications
- Flame Presentation: State of the art flame presentation: Vibrant, multi color state of the art flame presentation – change to yellow, orange or red flames with just a click of the remote.
- 3 Speed motor sets the flame speed option
- WiFi controls come standard
- Perfect for zone heating. Approximately 500 sq. ft., 5000 BTU's

	30-BAY-SLIM	40-BAY-SLIM	50-BAY-SLIM	60-BAY-SLIM	72-BAY-SLIM
Volts	120 AC / 60 Hz	120 AC / 60 Hz	120 AC / 60 Hz	120 AC / 60 Hz	120 AC / 60 Hz
Watts	1500 max	1500 max	1500 max	1500 max	1500 max
No Heater	25 watts	25 watts	25 watts	25 watts	25 watts
Motor Heater	19 watts	19 watts	19 watts	19 watts	19 watts
Height, Width, Depth	67.63 x 84.45 x 10.16 cm	67.63 x 109.85 x 10.16cm	67.63 x 135.25 x 10.16cm	67.63 x 160.65 x 10.16cm	67.63 x 186.06 x 10.16cm
Gross Weight	38.55 kg	47.18 kg	54.88 kg	63.50 kg	75.75 kg
Plug Location	Left Side	Left Side	Left Side	Left Side	Left Side
Cord Length	180.02cm	180.02cm	180.02cm	180.02cm	180.02cm
Rough Wall Opening					
BTU	5000	5000	5000	5000	5000



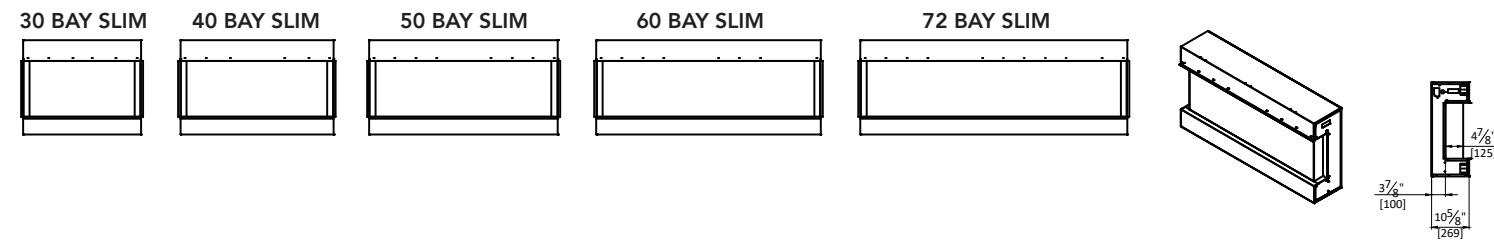


50-BAY-SLIM electric fireplace



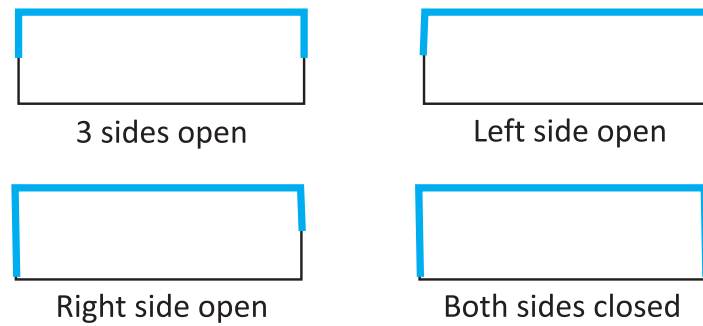
60-BAY-SLIM electric fireplace

SLIM



FOUR INSTALLATION CONFIGURATIONS

- All 3 sides of glass visible
- Left side visible
- Right visible
- Front only for an extra deep (14 1/4") fireplace



72-BAY-SLIM electric fireplace

WM FULL FRAME SMART



WM-74 electric fireplace



With the Remii WM Full Frame Smart Series two flame patterns are presented – diffused flame appearance and a realistic flame style. Both flame patterns are presented in three colors – yellow, orange and red, or a combination of these. Remii WM gives you multiple length options, as well as giving you the ability to install your fireplace with your choice of finishing material built right to the glass for a “full frame” design or use the provided picture frame surround. Your choice- your design! The slim design allows for versatile applications, inside or outside, including semi flush mount applications within a 5.08cm x 10.16cm wall and standardized sizing allows for hassle free installation at any stage of your project.

KEY FEATURES: WM FULL FRAME SMART

- Very thin – only 10.16cm in depth and multiple length options
- Can be fully recessed or semi flush mounted within a 5.08cm x 10.16cm wall. A SYM-XS surround is required
- All models are rated for indoor or outdoor applications
- Flame Presentation: State of the art flame presentation: Vibrant, multi color state of the art flame presentation – change to yellow, orange or red flames with just a click of the remote.
- 3 Speed motor sets the flame speed option
- WiFi controls come standard
- Perfect for zone heating. Approximately 500 sq. ft., 5000 BTU's

	WM-34	WM-42	WM-50	WM-60	WM-74	WM-88	WM-100
Volts	120 AC / 60 Hz	120 AC / 60 Hz	120 AC / 60 Hz	120 AC / 60 Hz	120 AC / 60 Hz	120 AC / 60 Hz	120 AC / 60 Hz
Amps	13	13	13	13	13	13	13
Watts	1200	1200	1200	1200	1200	1200	1200
Heater On	1200 max / 600 watts low	1200 max / 600 watts low	1200 max / 600 watts low	1200 max / 600 watts low	1200 max / 600 watts low	1200 max / 600 watts low	1200 max / 600 watts low
No Heater	22	22	22	22	22	22	22
Rotor Motor	1 at 5 watts	1 at 5 watts	1 at 5 watts	1 at 5 watts	1 at 5 watts	1 at 5 watts	1 at 5 watts
Height, Width, Depth	39.69 x 82.23 x 13.97cm	39.69 x 107.31 x 13.97cm	39.69 x 127.64 x 13.97cm	39.69 x 153.04 x 13.97cm	39.69 x 183.83 x 13.97cm	39.69 x 203.84 x 13.97cm	39.69 x 254.64 x 13.97cm

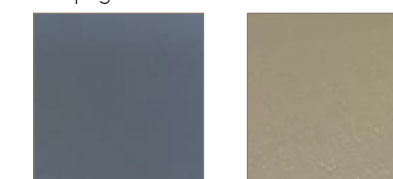
Hidden venting and no grills. The heater is located at the top of the unit allowing heat to cascade down in front of the glass.

IN THE BOX



OPTIONAL SURROUNDS

For WM fireplaces only. See page 16 for more details.



Dark Grey

Bronze



WM-42 electric fireplace

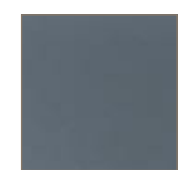


WM-50 electric fireplace

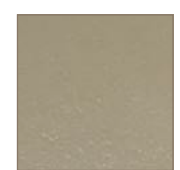
WM SURROUND OPTIONS

OPTIONAL SURROUNDS

Add a designer touch to your space with a beautifully finished Dark Grey or Bronze colored surround. These decorative surrounds will compliment all WM fireplaces: 34", 42", 50", 60", 74", 88", 100". The surrounds will arrive in a separate package.



Dark Grey



Bronze

FOR SEMI-FLUSH MOUNT INSTALLATION

For rooms where space may be at a premium, WM models can also be partially recessed within a 5.08cm x 10.16cm wall. The unit will sit 5.08cm outside of the wall with 10.16cm of the unit mounted inside.

- This install option requires the Semi-Flush Mount Surround (SYM-XS) to finish the look of the fireplace.
- The Semi-Flush Mount Surround has a black finish and has a depth of 5.715cm"
- The Semi-Flush Mount Surround must be purchased separately. Ships in a separate box.
- **This application is only applicable to the WM models**

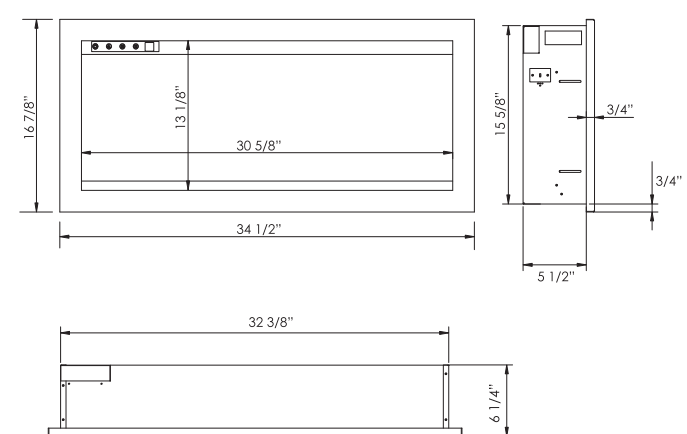


CLEAN FACE NO UNSIGHTLY VENTING

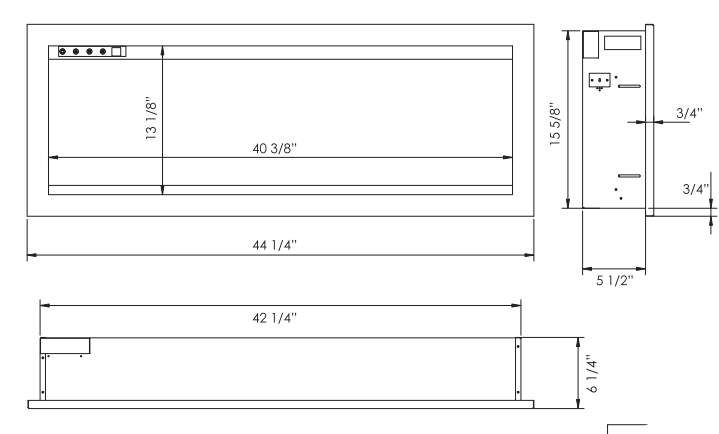
Unlike models made by other manufacturers, WM models are unencumbered by unsightly venting. Venting and grills take away from the aesthetics of a fireplace and the WM series have some of the biggest glass viewing areas in the industry. You'll see more of what is important - a beautiful, warm and comforting flame display.

HASSLE FREE INSTALLATION

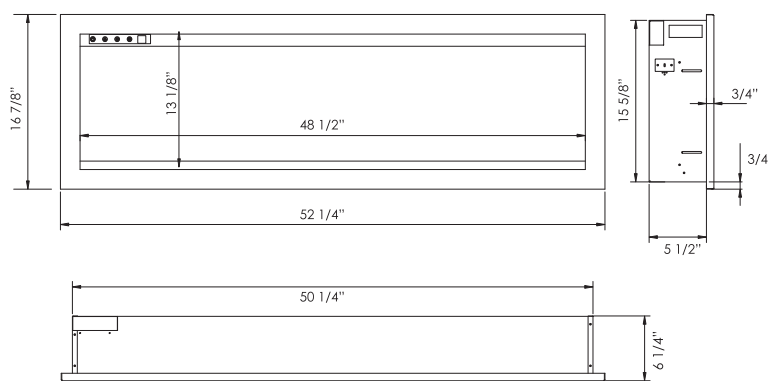
The Remii has been made with standardized unit sizing. This means that the opening for the fireplace can be made at any stage of a build, the appliance can be easily installed and finished with the included surround at the end of a project. The surround beautifully completes the fireplace without the need for finicky or costly finishing.



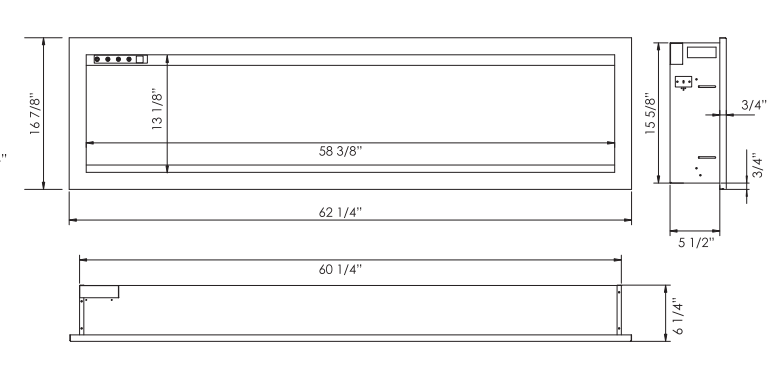
WM-34



WM-42



WM-50



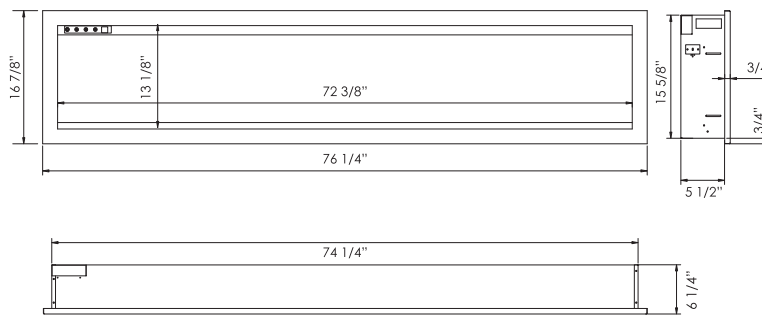
WM-60



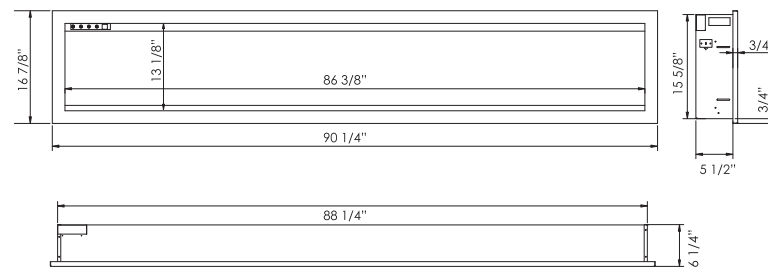
WM-60 electric fireplace



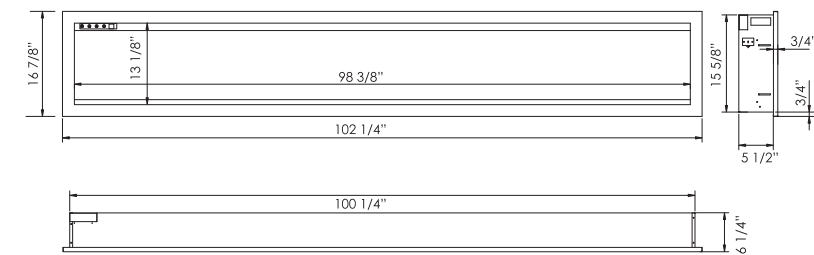
WM-88 electric fireplace



WM-74



WM-88



WM-100



WM-100 electric fireplace

WM-SLIM



WM-SLIM-65 electric fireplace

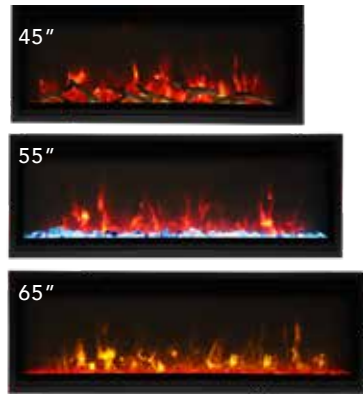


WM-SLIM-55 electric fireplace

The NEW WM-SLIM electric fireplace offers the perfect blend of style and functionality to any room it's placed in. Defined by its slender depth proportions and streamlined integration into any contemporary domain, the WM-SLIM is a both a familiar emblem of welcome and conversation.

A elegant flame display dances across the back of the fireplace, creating movement that is sure to catch your eye. The heat settings can be adjusted with a simple push of a button. During the warmer months, you can set the flames to display without heat – making it perfect to use all year long.

KEY FEATURES: WM-SLIM



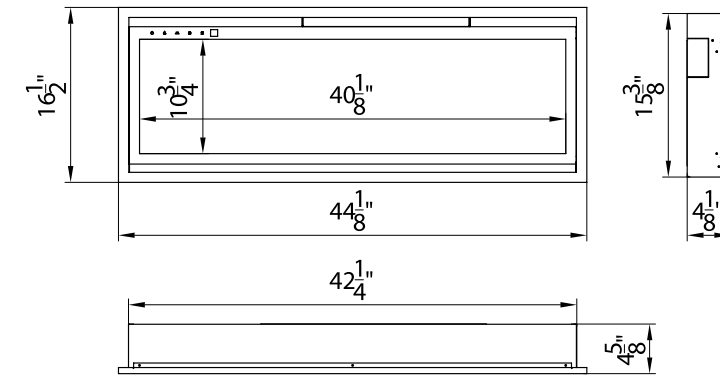
- Modern and sleek in design, this unit can be mounted or recessed into any 5 x 10 cm wall
- Unsurpassed, realistic flames can be enjoyed with or without the use of heat, allowing for year round use
- Clean and Seamless in Design: this fireplace features a full frame viewing area
- WiFi controls come standard
- Remote App- total control of your fireplace from the convenience of your mobile device
- Operate this fireplace from the comfort of your favorite spot with the included, full feature, remote control
- 2 Heater settings Low - 733W - High 1465W
- 5000 BTU's
- Accessories Included: Clear glass diamonds, black powder coated surround and a full feature remote control
- 11 multi colors of up lighting that accent from the tray
- Flame options include: yellow, orange, and red. 5 settings in each color, so you can cycle through
- 3 Speed motor sets the flame speed option
- Smart Heater Control - Auto mode feature allows for the unit to operate under your ideal temperature setting
- Perfect for any commercial or residential space

	WM-SLIM 45	WM-SLIM 55	WM-SLIM 65
Volts	120 AC / 60 Hz	120 AC / 60 Hz	120 AC / 60 Hz
Watts	1200	1200	1200
No Heater	25W	25W	25W
Height, Width, Depth	50.48 x 112.07 x 10.16cm	50.48 x 137.48 x 10.16cm	50.48 x 150.18 x 10.16cm
Gross Weight	28.12 kg	39 kg	48.99 kg
Plug Location	Left Side	Left Side	Left Side
Cord Length	180.02cm	180.02cm	180.02cm
Rough Wall Opening	111.76 x 51.75cm	137.16 x 51.75cm	162.56 x 51.75cm
BTU	5000	5000	5000

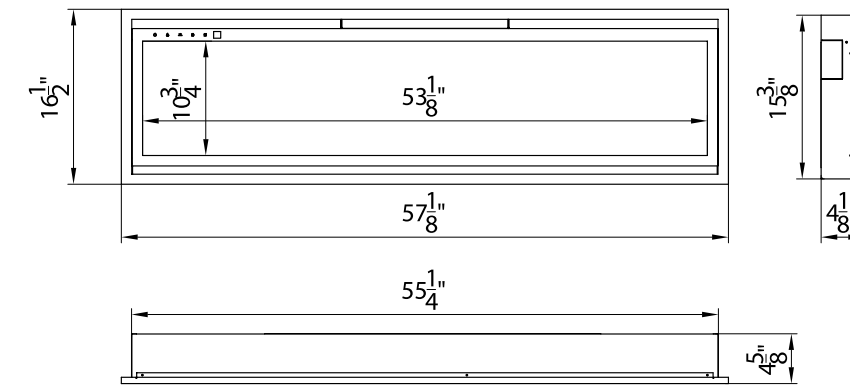
IN THE BOX



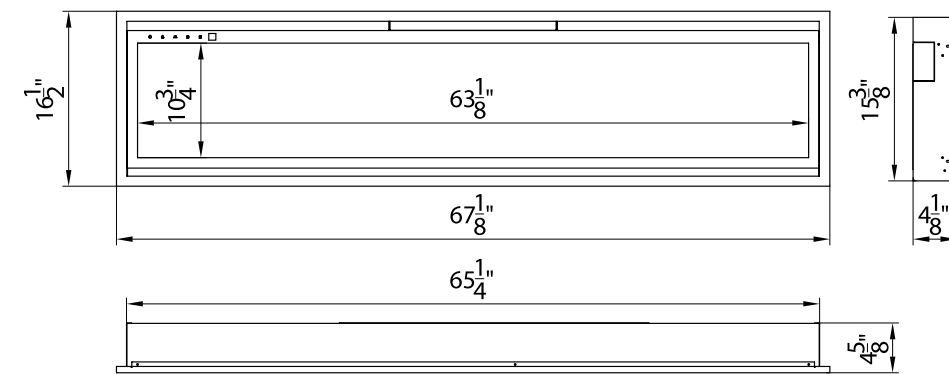
WM-SLIM-45 electric fireplace



WM-SLIM-45



WM-SLIM-55



WM-SLIM-65

CLASSIC XTRA SLIM



Classic-SLIM-30 electric fireplace



Classic-SLIM-26 electric fireplace



Classic-SLIM-33 electric fireplace

The NEW Classic Xtra Slim electric fireplace offers the perfect blend of style and functionality to any room it's placed in. Defined by its slender depth proportions and streamlined integration into any contemporary domain, the Classic Xtra Slim is a both a familiar emblem of welcome and conversation.

A elegant flame display dances across the back of the fireplace, creating movement that is sure to catch your eye. The heat settings can be adjusted with a simple push of a button. During the warmer months, you can set the flames to display without heat – making it perfect to use all year long.

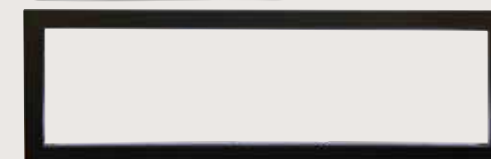


KEY FEATURES: CLASSIC XTRA SLIM

- Modern and sleek in design, this unit can be mounted or recessed into any 5.08cm x 10.16cm wall
- Unsurpassed, realistic flames can be enjoyed with or without the use of heat, allowing for year round use
- Clean and Seamless in Design: this fireplace features a full frame viewing area
- WiFi controls come standard
- Remote App- total control of your fireplace from the convenience of your mobile device
- Operate this fireplace from the comfort of your favorite spot with the included, full feature, remote control
- 2 Heater settings Low 750W High 1500
- 5000 BTU's
- Accessories Included: Clear glass diamonds, black powder coated surround and a full feature remote control
- 11 multi colors of up lighting that accent from the tray
- Flame options include: yellow, orange, and red. 5 settings in each color, so you can cycle through
- 3 Speed motor sets the flame speed option
- Smart Heater Control - Auto mode feature allows for the unit to operate under your ideal temperature setting
- Perfect for any commercial or residential space

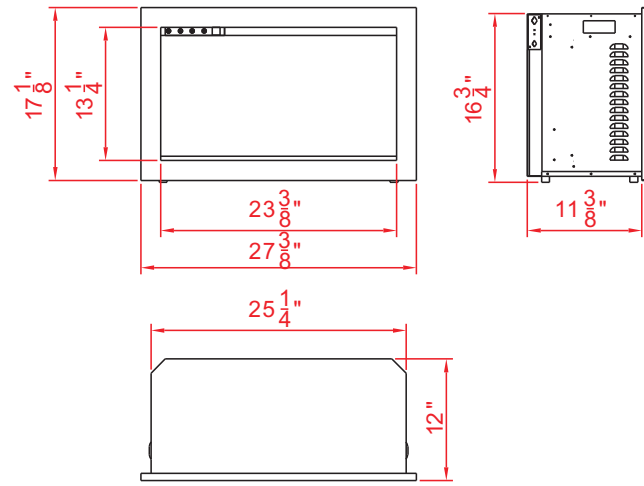
	CLASSIC-SLIM-26	CLASSIC-SLIM-30	CLASSIC-SLIM-33
Volts	120 AC / 60 HZ	120 AC / 60 HZ	120 AC / 60 HZ
Watts	1500	1500	1500
No Heater	25W	25W	25W
Height, Width, Depth	42.55 x 64.14 x 10.48	48.58 x 74.61 x 10.48	56.51 x 80.65 x 10.48
Gross Weight	17.50 kgs	19.64 kgs	25 kgs
Plug Location	Left Side	Left Side	Left Side
Cord Length	180 cm	180 cm	180 cm
Rough Wall Opening			
BTU	5000	5000	5000

IN THE BOX

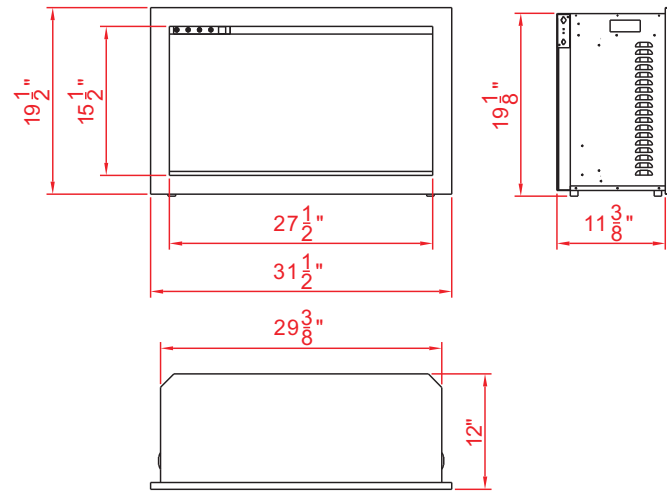


OPTIONAL LOG SET

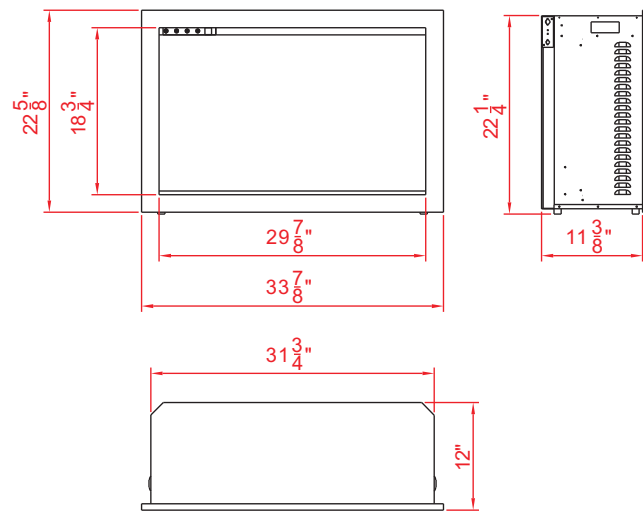




CLASSIC-SLIM-26



CLASSIC-SLIM-30



CLASSIC-SLIM-33

CONTEMPORARY PEDESTAL DISPLAY

Make your space complete with the Contemporary Pedestal Display, which offers flexibility and simplicity in styling, allowing your space to include the luxury of a fireplace

The installation of an electric fireplace in your showroom using a Contemporary Pedestal Display is extremely simple. Requires no remodeling. Simply assemble the pedestal and storage, insert the fireplace, and plug it into a standard outlet. Because installation of these displays does not require any remodeling, structure modification, or permanent wiring, these displays can be easily moved around in your showroom.

Easy Installation, everything you need comes in the box.

FEATURES

- Sleek European design
- Quick and easy assembly.
- Allows you to install/display fireplace anywhere in your room
- Transforms the fireplace into a freestanding unit
- Can be easily moved to another room
- Realistic log display area



FIRE GLASS & MEDIA OPTIONS

Our decorative fire glass media is a beautiful addition to your electric fireplace. Turn your fireplace into an expressive work of art by simply adding our decorative fire glass media. Our fire glass adds a distinctly modern feel to your electric fireplace - mix colors and textures for a unique appearance.

Always wear protective gloves when handling fire glass media. One 5lb container of media will cover 1 square foot.



AMSF-GLASS-01



AMSF-GLASS-02



AMSF-GLASS-03



AMSF-GLASS-04



AMSF-GLASS-05



AMSF-GLASS-06



AMSF-GLASS-07



AMSF-GLASS-08



AMSF-GLASS-09



AMSF-GLASS-10



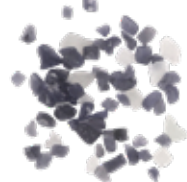
AMSF-GLASS-11



AMSF-GLASS-12



AMSF-GLASS-13



AMSF-GLASS-14

DESIGNER MEDIA KITS

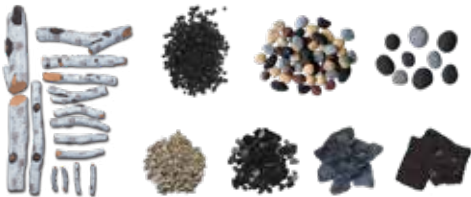
DESIGN-MEDIA-DRIFT-15PCE



DESIGN-MEDIA-RUSTIC-14PCE



DESIGN-MEDIA-BIRCH-15PCE



DESIGN-MEDIA-LOG-6PCE



DECORATIVE MEDIA OPTIONS



FI-105-Diamond



FI-107-Diamond

Images are not to scale, please visit your local dealer to view the actual accessories. Variations in the color and shade are inherent in all printing processes, the actual colors may vary slightly from those shown in this brochure. Please visit your local dealer to view a sample.

Note: Log sets and Designer Media Kits will fit in all sizes of the following models - Deep and Extra Tall ONLY

For Designer Media Kits, depending on the size of the model, not all media included may be required to be used.

Remii-Brochure-METRIC

August 2023

Distributed By:

We reserve the right to update products, specifications and dimensions are subject to change. Please refer to the product manual to verify measurements and clearance requirements. All local building codes must be followed.



Visit our online showrooms at:



www.remii.com

Phone: 800.986.1864