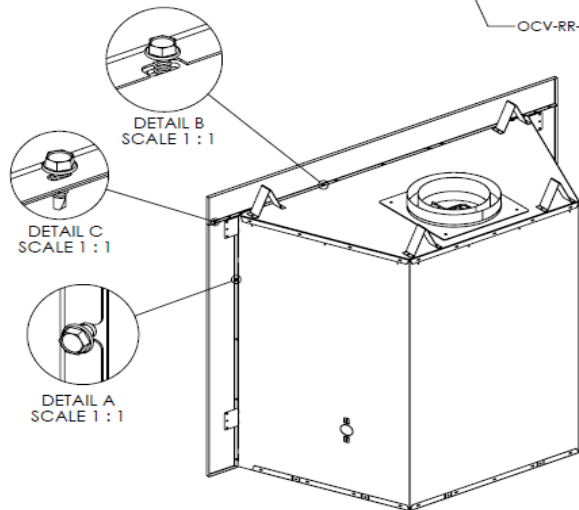
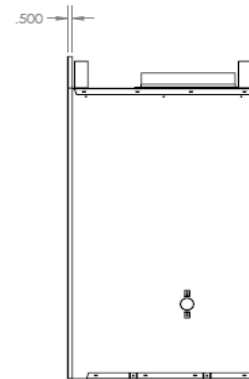
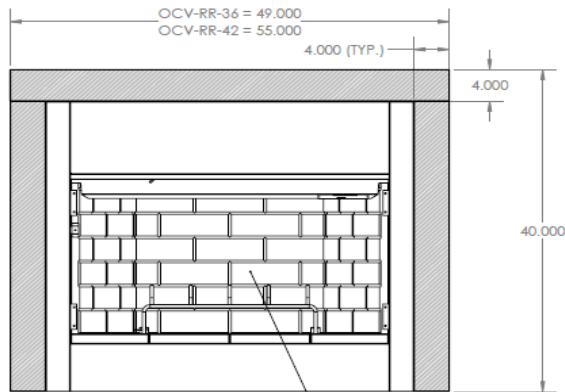




FOREVER FIREPLACE

OCV-RR 36/42 Trim Kit Installation Guide

The OCV-RR36 or OCV-RR 42 trim kits are designed to cover the gap at the top or on the sides of the fireplace up to 4 inches providing a clean and finished look. The Trim Kit is powder coated black to match the fireplace finish.



1. LOOSEN FRONT/SIDE SCREWS ON UNIT (DO NOT REMOVE) AND SLIDE SIDE PANELS INTO PLACE UNDER SCREW HEADS, THEN TIGHTEN SCREWS. (DETAIL A)
2. LOOSEN FRONT/TOP SCREWS ON UNIT (DO NOT REMOVE) AND SLIDE TOP PANEL INTO PLACE UNDER SCREW HEADS, THEN TIGHTEN SCREWS. (DETAIL B)
3. USING PROVIDED SELF-TAPPING SCREWS, SCREW THE TOP PANEL TO THE SIDE PANELS. (DETAIL C)