



Single Wall Black[®]

All-Fuel Stove Pipe

Installation Instructions

A MAJOR CAUSE OF CHIMNEY RELATED FIRES IS FAILURE TO MAINTAIN REQUIRED CLEARANCES (AIR SPACES) TO COMBUSTIBLE MATERIALS. IT IS OF THE UTMOST IMPORTANCE THAT THIS SINGLE WALL CONNECTOR BE INSTALLED ONLY IN ACCORDANCE WITH THESE INSTRUCTIONS.

Read through these instructions before beginning your installation. Failure to install according to these instructions will void the manufacturer's warranty and may have an effect on your safety and homeowner's insurance.

Keep these instructions for future reference.

INTENDED USE OF PRODUCT

This single wall stovepipe connector is intended for use with solid, liquid and gas fired appliances, including wood and coal burning stoves, freestanding fireplaces and furnaces.

CLEARANCE TO COMBUSTIBLES

The minimum clearance from Ventis Single Wall Black Stove Pipe to combustible surfaces is 18 inches to combustible side walls and ceilings.

CLEARANCE COMPATABILITY

Solid fuel appliances have a minimum clearance to combustible construction. The minimum clearance on the appliance must be adhered to. If two clearances are in conflict, *always* use the larger clearance distance.

PERMITS

Contact local Building and Fire Officials about permits, restrictions and installation inspection in your area.

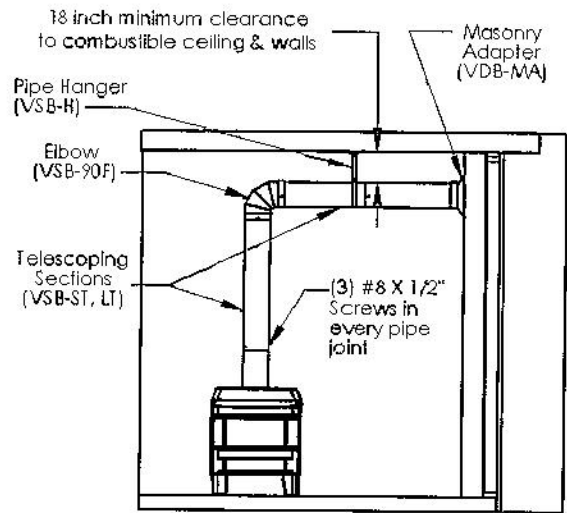
SEE VENTIS CATALOGUE FOR COMPLETE LINE OF VENTIS COMPONENTS

RECOMMENDATIONS & LIMITATIONS

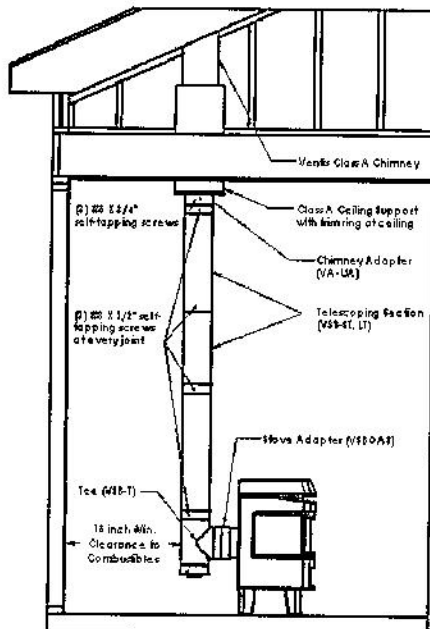
- Every wood burning stove requires its own separate connector. Connect only one solid fuel burning appliance to a chimney. Do not connect an oil or gas burning appliance to a chimney venting a solid fuel burning appliance.
- Choose a stove that is listed by a recognized testing agency.
- For installation and operation, follow the stove manufacturer's instructions and safety manual for maximum efficiency and safety. Over firing can damage both stove and connector pipe.
- Be certain to maintain required clearances to combustible materials.
- Burn only the fuels your stove is designed to burn according to the manufacturer's instructions and safety manual.
- Do not burn sea driftwood, treated lumber, or plastic.
- Not all stoves can be used in Mobile Homes. See manufacturer's instructions.
- Do not enclose **Ventis Single Wall Black** connector pipe.
- This connector is not a chimney. It must NOT pass through floors, attics, closets, walls, or ceilings.

INSTALLATION NOTES

- A. Use only **Ventis Single Wall Black** connector pipe and components. Do not mix with other manufacturer's products. Do not install damaged connector pipe or components.
- B. While there is no limitation to the total length of **Ventis Single Wall Black** connector pipe that may be used for a single installation, except as stipulated in NFPA 211, we recommend a maximum of 15', not to exceed 20'. It is important to insure that all sections are solidly fastened together and supported as required.
- C. **Ventis Single Wall Black** is used to connect a solid, liquid or gas fuel fired appliance to a factory built or masonry chimney.
- D. The chimney must be installed and connected according to the applicable **Ventis Class A All Fuel Chimney System, Forever Flex, Armor Flex, or Rhino Rigid Installation Instructions.**
- E. In all cases, when pipe is correctly placed and aligned, be sure to securely attach all pipe sections to each other, to the Stove Adapter, the Tee, Elbow, Wall Thimble, and Ceiling Support connector by fastening at least (3) #8 X 1/2" self-drilling screws in every joint.



- F. A Pipe Hanger (VSB-H) must be used for any horizontal run over 4 feet long. Use an additional hanger for every 4 foot section thereafter; i.e. 2 per 8ft., 3 per 12ft., etc.



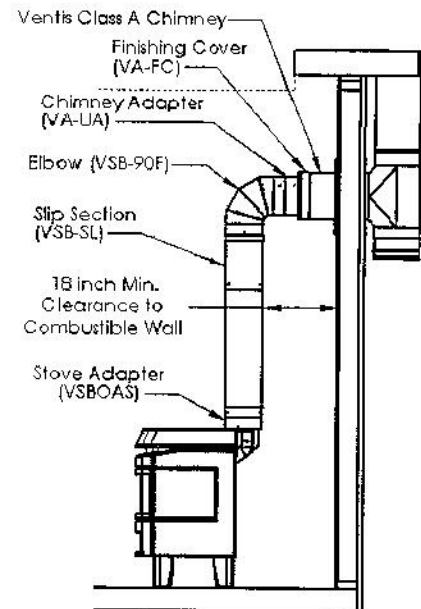
INSTALLATION PROCEDURE CEILING INSTALLATION

1. Position stove and floor shield to conform to the stove manufacturer's clearance specifications. Position appliance and chimney so as to avoid cutting any ceiling joists, roof rafters, or wall studs.
2. Install ceiling support box according to the installation instructions in your **Ventis Class A Chimney** kit.
3. Install a **Ventis Class A Universal Adapter** in Ceiling Support Box.
4. If needed, attach Stove Adapter (VSB0AS), Tee (VSB_T) or Elbow (VSB0690F) to stove using at least (3) #8 X 1/2" self-drilling screws.

5. Make sure Tee or Elbow align vertically with Chimney Adapter at ceiling.
6. Install adjustable Telescoping Section (VSB-LT [ST]), or Connector Pipe (VSB) and Slip Section (VSB_SL), between the Tee/Elbow and Chimney Adapter.
7. Fasten all pipe sections together, including Telescoping Sections and Slip Sections with at least (3) #8 X ½" self-drilling screws.

THROUGH WALL INSTALLATION

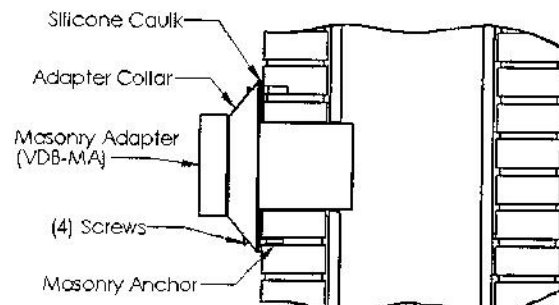
8. Position stove and floor shield to conform to the stove manufacturer's clearance specifications. Position appliance and chimney so as to avoid cutting any ceiling joists, roof rafters, or wall studs.
9. Install Wall Thimble (VA-WPT) according to the installation instructions in your **Ventis Class A** Chimney kit.
10. Install the Universal Adapter (VA-UA) to the Ventis Class-A Chimney Pipe that has been securely installed through the Wall Thimble. Attach using supplied (3) #8 X ¾" self-tapping screws.
11. Slide Finishing Cover (VA-FC) over the end of Class-A Chimney Pipe.
12. Attach Stove Adapter (VSBOAS) to stove. If needed attach Tee (VSB-T) to Stove Adapter using at least (3) #8 X ½" self-drilling screws.
13. Make sure Stove Adapter and/or Tee align vertically and horizontally with chimney adapter.
14. Install adjustable Telescoping Section (VSB-ST) to Tee or Stove Adapter using (3) #8 X ½" self-drilling screws.
15. Install 90° Elbow (VSB-90F) at top of Telescoping Section using (3) #8 X ½" self-drilling screws.
16. Install a Telescoping Section or a fixed length Connector Pipe and Slip Section horizontally between Elbow and Ventis Class-A Universal Adapter using at least (3) #8 X ½" self-drilling screws at each pipe joint.
17. **Fasten all pipe sections together, including Telescoping Sections and Slip Sections with at least (3) #8 X ½" self-drilling screws at each pipe joint.**



MASONRY CHIMNEY

Have your chimney inspected by a qualified chimney sweep or Fire Department Inspector before connecting to it for use. Masonry chimneys should only be used if they are in good condition and have been built according to NFPA 211 (Standard for Chimneys, Fireplaces, Vents, and Solid Fuel-Burning Appliances).

1. There should be a horizontal opening into the chimney through a non-combustible wall. Fit the Masonry Adapter (VDB-MA) into this hole. Attach the adapter collar to the masonry wall using screws and masonry anchors (not supplied). Seal the joint between the collar and the masonry wall with a high temperature silicone caulking.
2. When installing Ventis Black Single Wall into a re-lined masonry chimney, follow the procedure as above, making sure the masonry adapter slides onto the tee take-off by *at least* 2 inches. Firmly attach using 3 self tapping screws or a Quick Connector™ (sold separately).
3. Attach connector pipe to appliance using instructions above.



VENTIS BLACK MAINTENANCE

Warning for Solid Fuel Applications

Creosote and Soot-Formation and Need for Removal:

When wood is burned slowly, it produces tar and other organic vapors, which combine with expelled moisture to form creosote. The creosote vapors condense in the relatively cool chimney flue of a slow-burning fire. As a result, creosote residue accumulates on the flue lining. When ignited, this creosote makes an extremely hot fire.

VENTIS BLACK CLEANING

- **Access** – Double wall connector pipe must be installed so that access is provided for inspection and cleaning.
- **Schedule** – The connector and chimney should be inspected at least once every month during the heating season to determine if a creosote or soot buildup has occurred. If creosote or soot has accumulated, it should be removed to reduce the risk of a chimney fire.
- **Cleaning** – Have your connector and chimney cleaned by a professional chimney sweep. Use a plastic, wood, or steel brush.
- **Coal** – To reduce corrosion in connectors and chimneys where coal is burned, clean the chimney thoroughly within 48 hours of shutting down the stove for the season. Check the chimney lining for sulfuric acid corrosion regularly.
- **Chemicals** – Do not use chemical cleaners. Their use does not eliminate the need for mechanical cleaning and they may be highly corrosive.
- **In Case of Fire** – If a flue fire occurs, close all appliance draft openings and call your Fire Department. Do not use the appliance again until the chimney, connector and stove have been inspected by a qualified chimney sweep and/or Fire Department Inspector.

WARRANTY

Olympia Chimney Supply, Inc.
600 Sanders St.
Scranton, PA 18505
1-800-569-1425